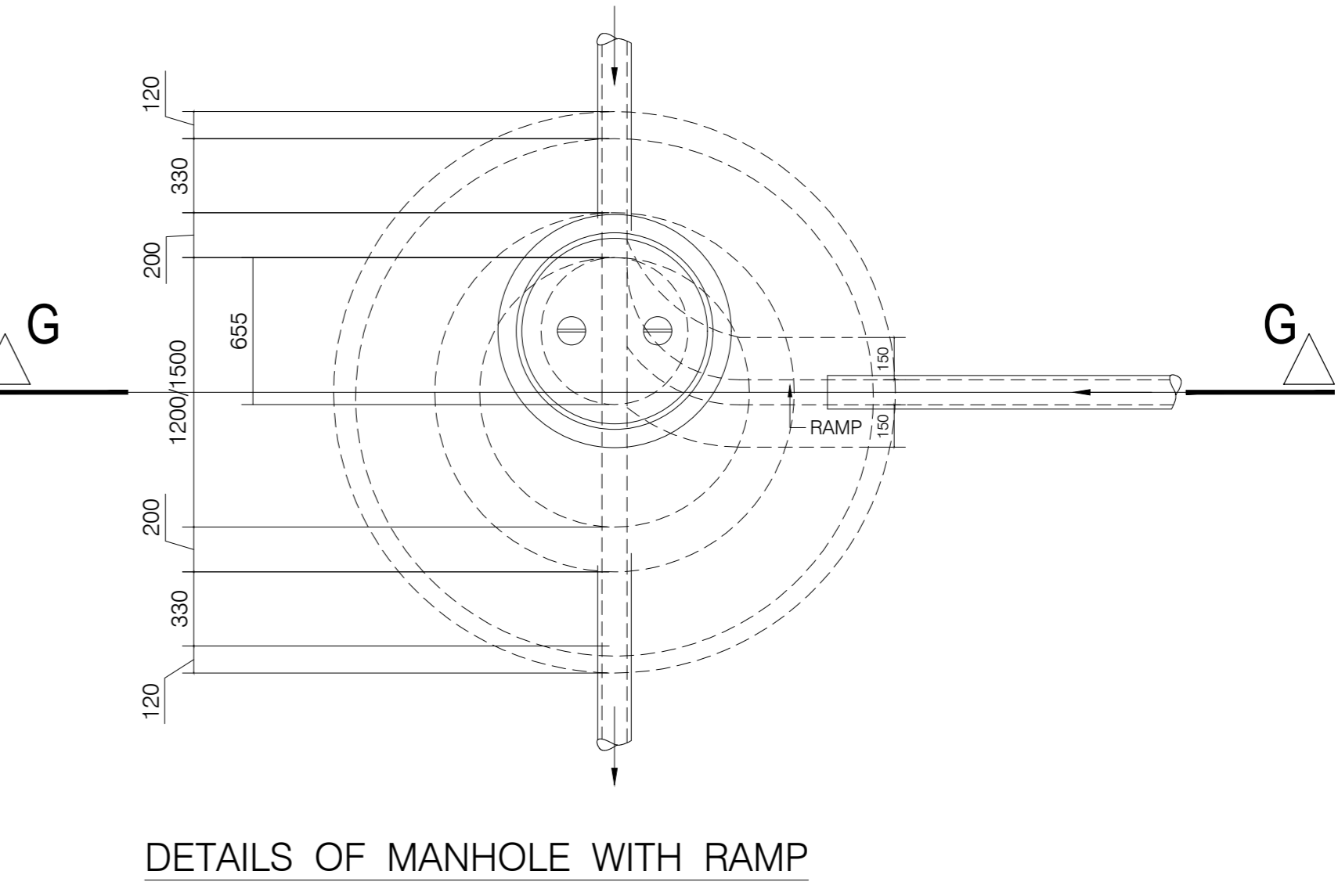
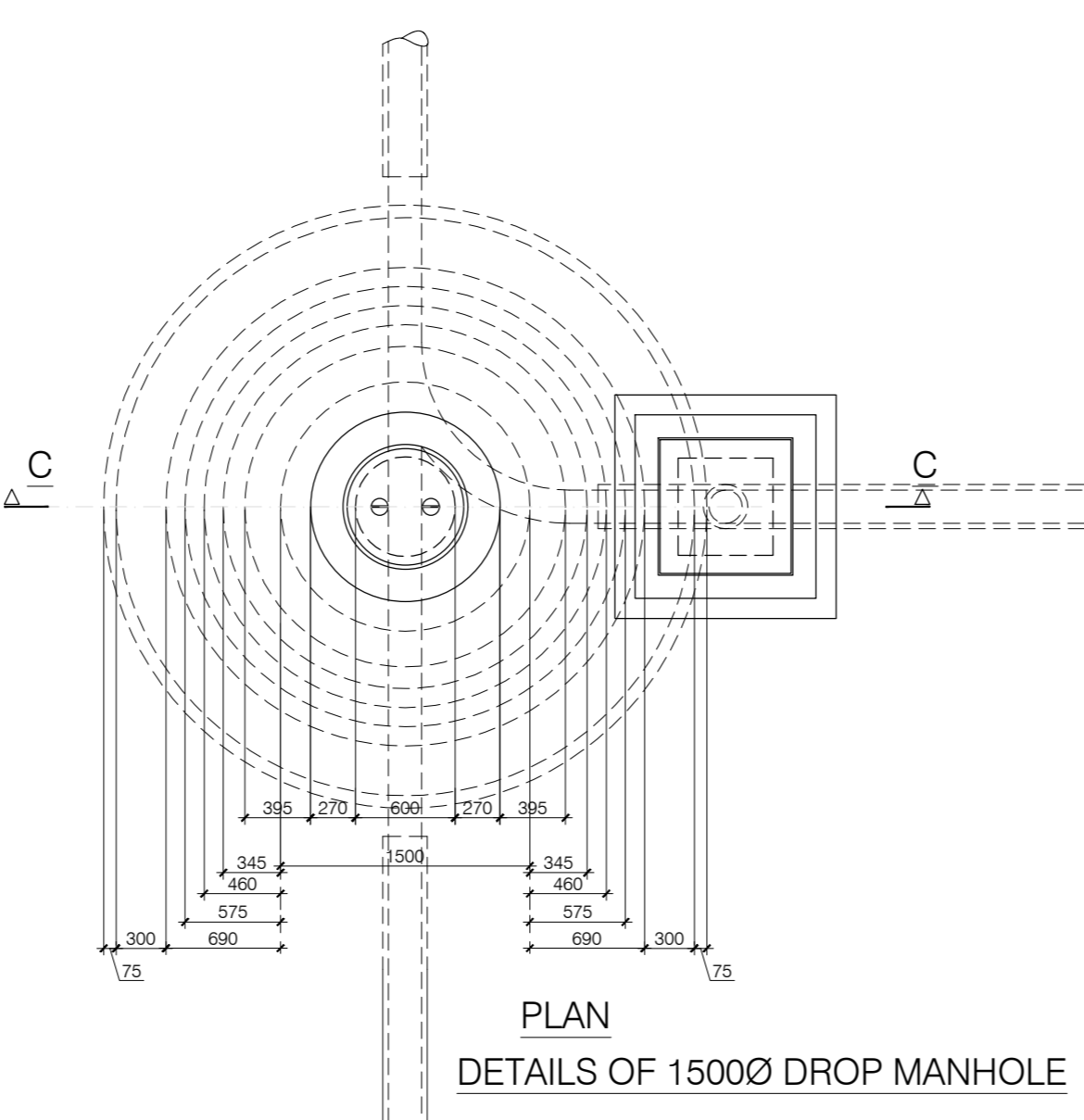
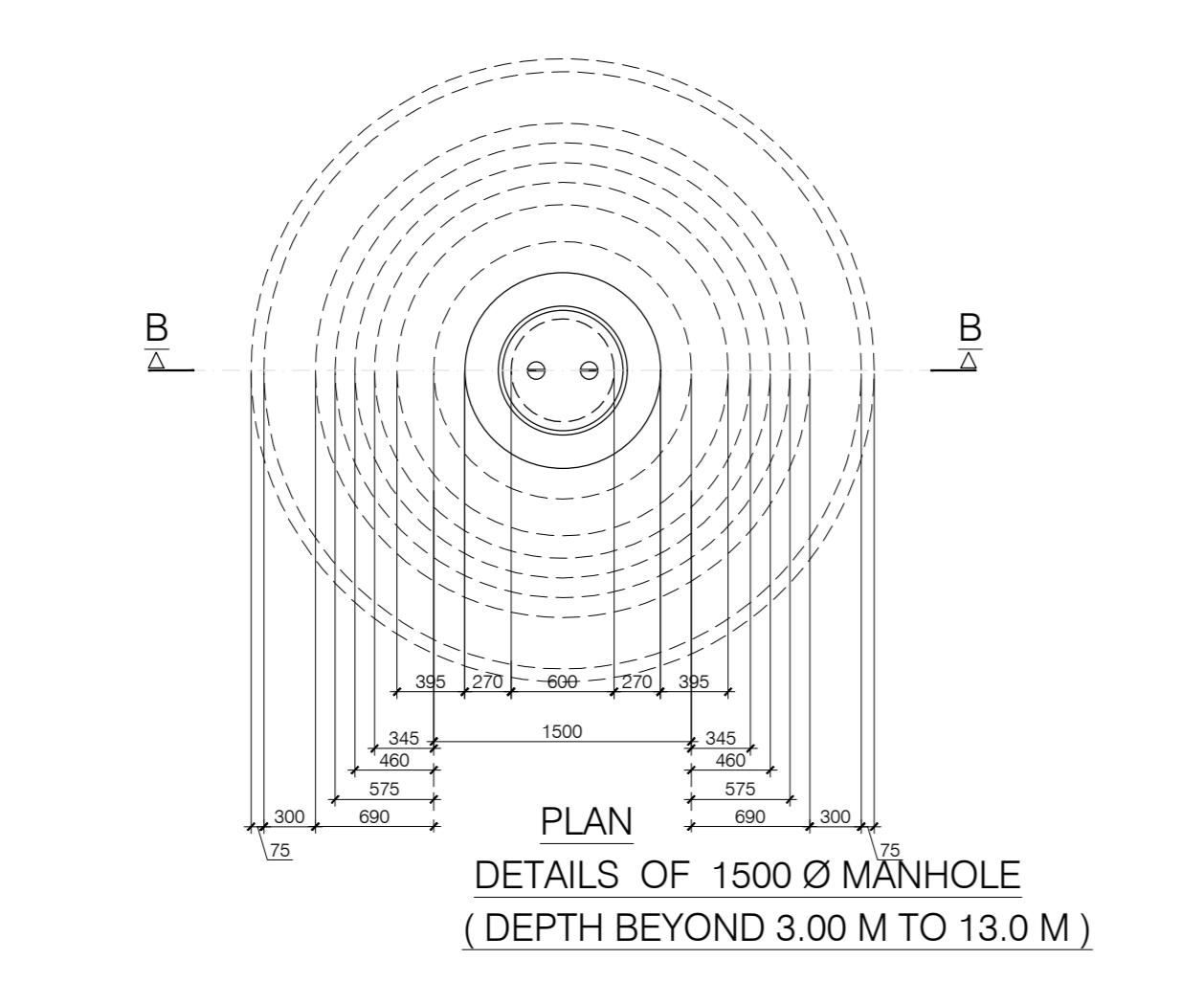
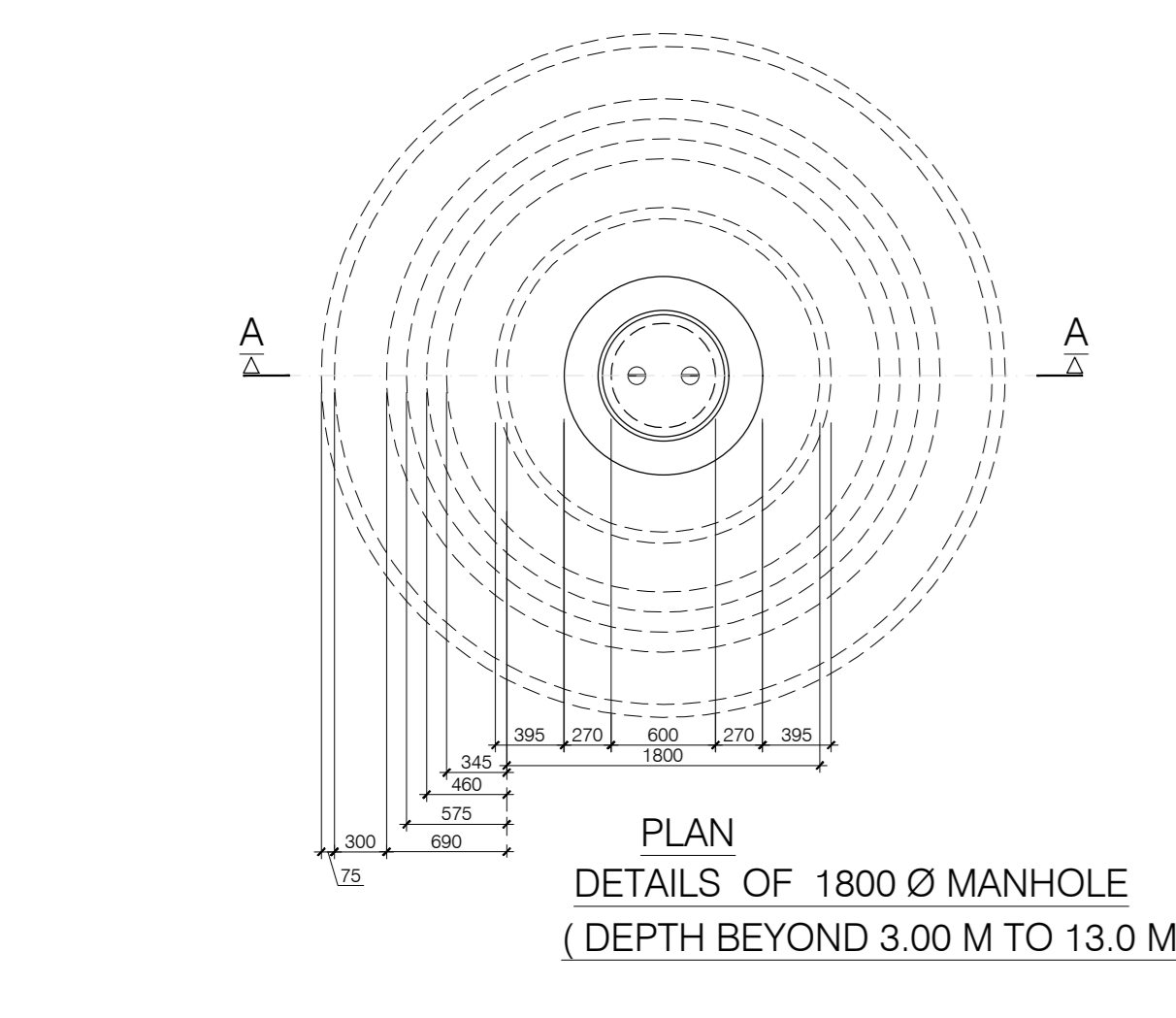
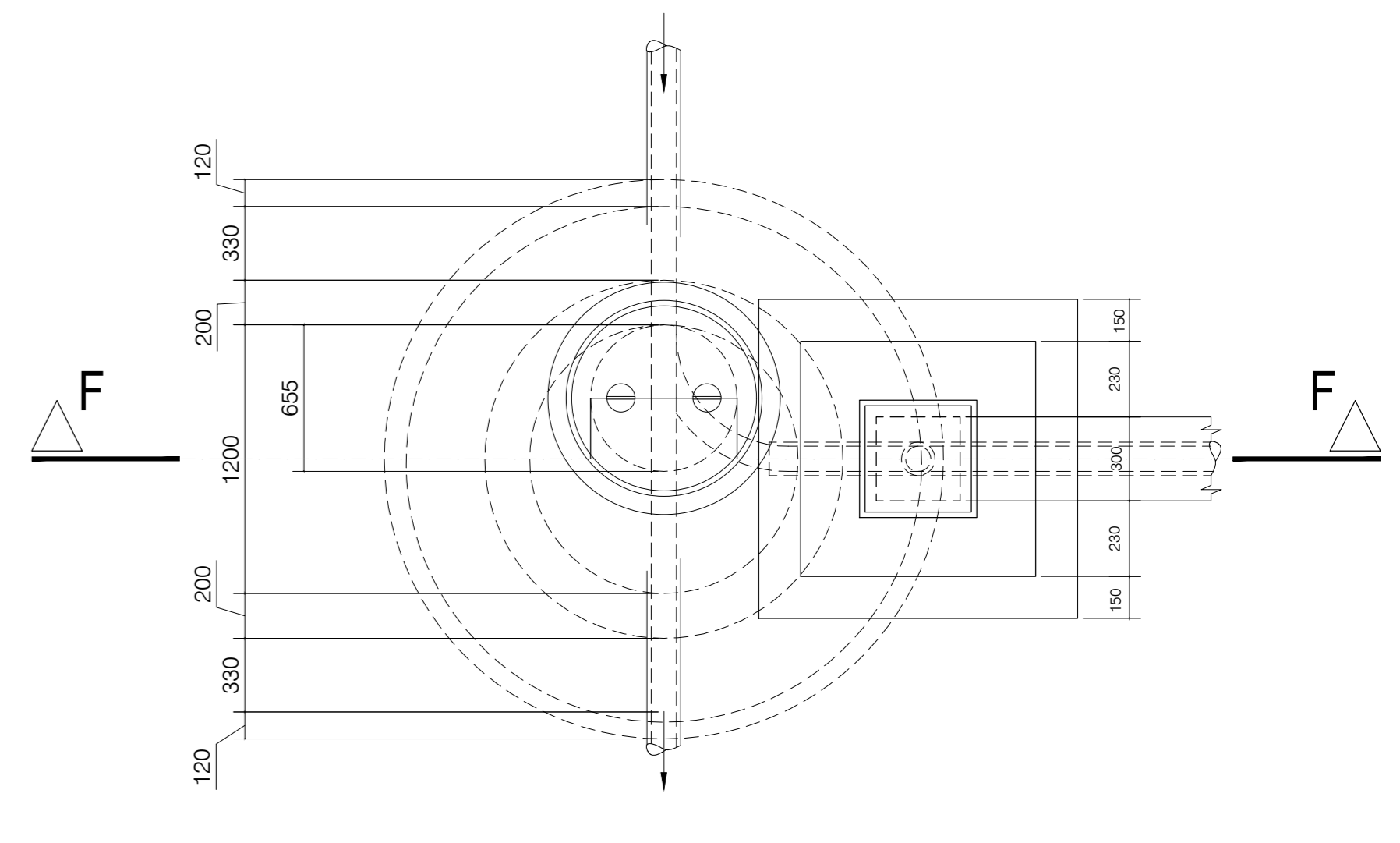
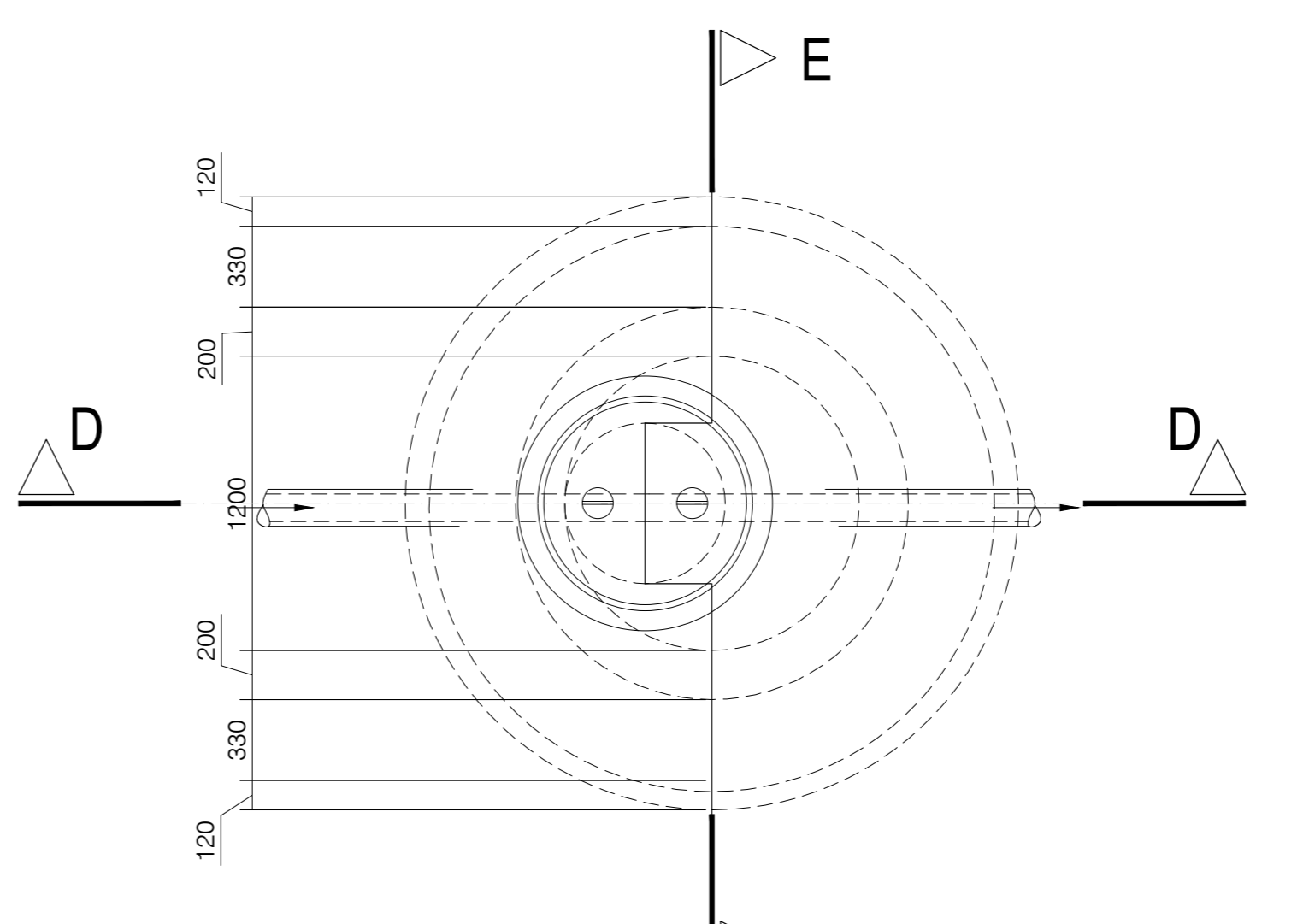
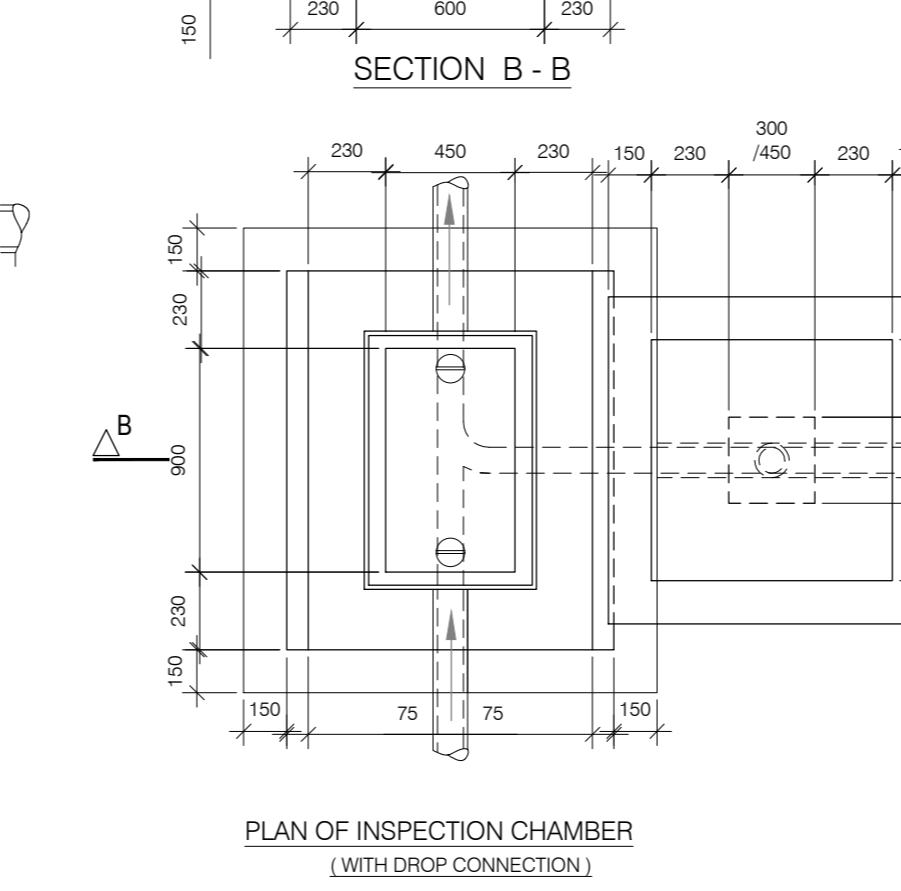
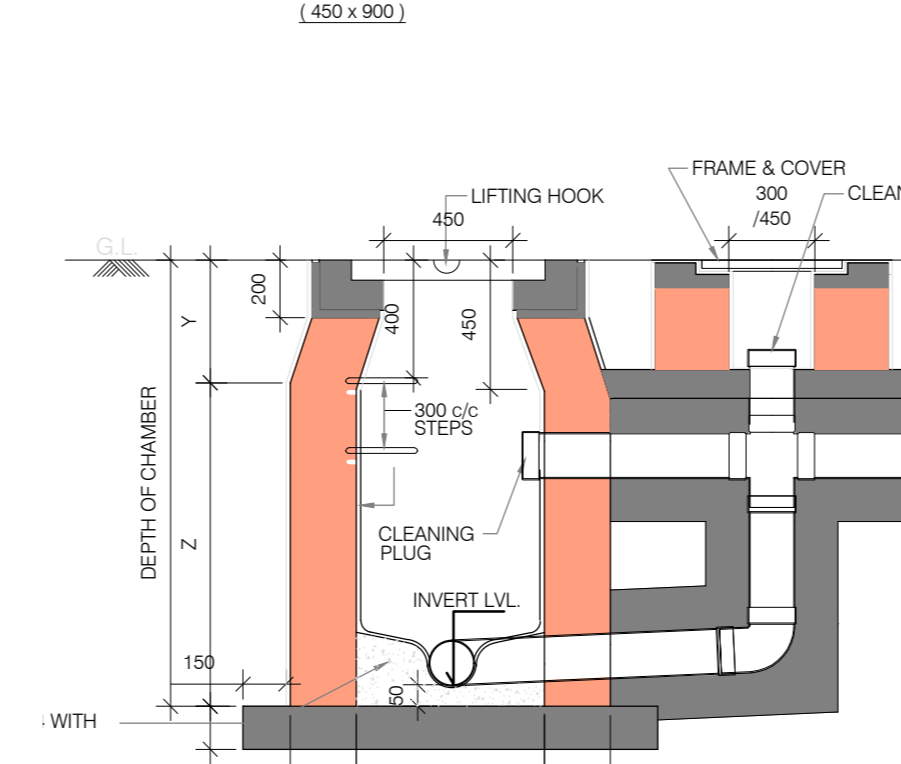
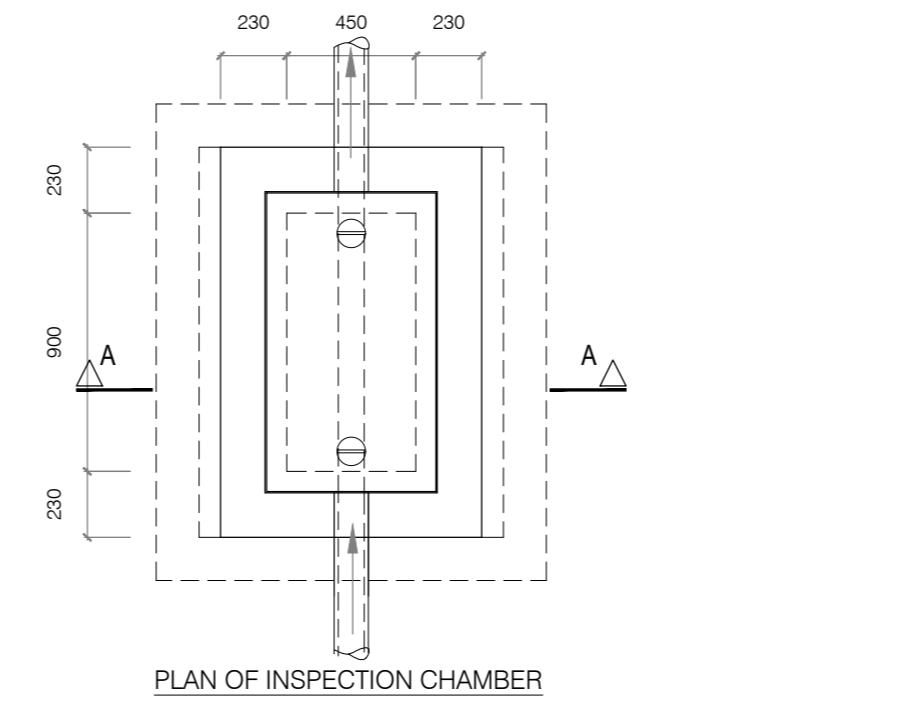
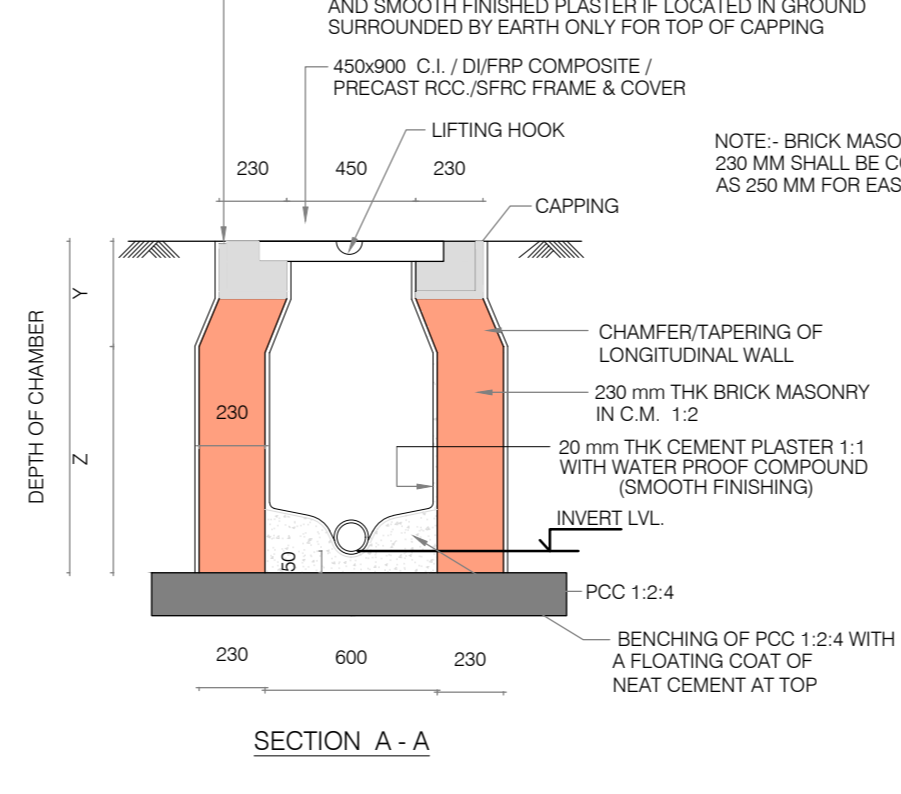


NOTE:
1. 'Y' THE HEIGHT OF HOLLOW PRISMoidal SHAPE CONSISTING OF 200mm THK BRICK MASONRY IN C.M. 1:2 FROM TOP OF CHAMBER IS 400mm FOR TAPERED PORTION OF LONGITUDINAL WALLS & VERTICAL PORTION OF SHORT WALLS SURROUNDED BY EARTH ONLY IF LOCATED IN ROAD ALIGNMENT AND SMOOTH FINISHED PLASTER IF LOCATED IN GROUND SURROUNDED BY EARTH ONLY IF TOP OF CHAMBER IS ABOVE FINISHED FLOOR LEVEL.

2. 'Z' THE DEPTH OF HOLLOW CUBICAL PORTION OF 200mm THK BRICK MASONRY IN C.M. 1:2 VARIES AS PER INVERT LEVEL BEYOND 'Y'.



REFERENCE DRAWINGS:
ARCHITECTURAL DRGS.

- NOTES
- NO DIMENSIONS TO BE SCALED OFF. ONLY WRITTEN DIMENSIONS TO BE FOLLOWED.
 - IF THERE IS ANY DISCREPANCY BETWEEN THIS DRG. & BASIC DRGS. CLEARANCE SHOULD BE OBTAINED FROM COMPETENT AUTHORITY.
 - THIS DRG. IS FOR P.V. PIPE LINE & ACCESSORIES ONLY. CORRESPONDING STRUCT. & MACH. DRGS. SHOULD BE REFERRED FOR OTHER DIMENSIONS.
 - UNION OR DETACHABLE JOINTS SHALL BE PROVIDED FOR GUN METAL VALVES.
 - GASKET SHALL BE PROVIDED FOR EVERY CLEANING PLUG.
 - CLAMPS FOR SOLE QUALITY PIPES HAVING WATER TIGHTNESS SHALL BE PROVIDED AS PER THICKNESS MENTIONED IN THE SCHEDULE & SAMPLE TO BE GOT APPROVED.
 - FLOOR TRAP: NIPAH TRAP AND SOIL/WASTE PIPE LINE LAD BELOW THE FLOOR SHALL BE PROVIDED WITH PROPER CONCRETE SUPPORT.
 - TO AVOID CHECK UP & TO ENSURE SELF CLEANING FLOW, ALL INTERNAL HORIZONTAL SOIL/WASTE PIPE LINES AND ALL SOIL/WASTE PIPE LINE UP TO INSPECTION CHAMBER SHALL BE LAD TO A SLOPE EQUAL TO JOB STEEPER THAN 1 IN 30.
 - NO RCC MEMBER SHALL BE CHASED FOR LAYING WATER SUPPLY, WASTE & SOIL PIPE LINES UNLESS THE SAME IS PERMITTED BY THE STRUCTURAL ENGINEER.
 - TOP OF CLEANOUTS SHALL BE FLUSH WITH FINISHED FLOOR LEVEL AND NO PART OF CLEANOUTS SHALL PROTRUDE ABOVE FINISHED LEVEL OF FLOORING FINISHES.
 - THE GAP BETWEEN THE TOP OF SLEEVE IN BEAM & TOP OF BEAM AND THE GAP BETWEEN BOTTOM OF SLEEVE IN BEAM & BOTTOM OF BEAM SHALL NOT BE LESS THAN 100mm.
 - ARRANGEMENT USING SLEEVES THROUGH BEAMS IS NOT SHOWN AS IT IS SITE ORIENTED.
 - MATERIAL & SPECIFICATION FOR MANHOLE FRAME AND COVER AS PER SCHEDULE OF QUANTITIES.

| REV. NO. | DESCRIPTION | INITIAL | DATE |
|------------------|-------------------|---------|------|
| REVISIONS | | | |
| 01 | ISSUED FOR TENDER | | |
| 02 | FOR APPROVAL | | |
| 03 | FOR APPROVAL | | |
| 04 | FOR APPROVAL | | |
| 05 | FOR APPROVAL | | |
| 06 | FOR APPROVAL | | |
| 07 | FOR APPROVAL | | |
| 08 | FOR APPROVAL | | |
| 09 | FOR APPROVAL | | |
| 10 | FOR APPROVAL | | |
| 11 | FOR APPROVAL | | |
| 12 | FOR APPROVAL | | |
| 13 | FOR APPROVAL | | |
| 14 | FOR APPROVAL | | |
| 15 | FOR APPROVAL | | |
| 16 | FOR APPROVAL | | |
| 17 | FOR APPROVAL | | |
| 18 | FOR APPROVAL | | |
| 19 | FOR APPROVAL | | |
| 20 | FOR APPROVAL | | |
| 21 | FOR APPROVAL | | |
| 22 | FOR APPROVAL | | |
| 23 | FOR APPROVAL | | |
| 24 | FOR APPROVAL | | |
| 25 | FOR APPROVAL | | |
| 26 | FOR APPROVAL | | |
| 27 | FOR APPROVAL | | |
| 28 | FOR APPROVAL | | |
| 29 | FOR APPROVAL | | |
| 30 | FOR APPROVAL | | |
| 31 | FOR APPROVAL | | |
| 32 | FOR APPROVAL | | |
| 33 | FOR APPROVAL | | |
| 34 | FOR APPROVAL | | |
| 35 | FOR APPROVAL | | |
| 36 | FOR APPROVAL | | |
| 37 | FOR APPROVAL | | |
| 38 | FOR APPROVAL | | |
| 39 | FOR APPROVAL | | |
| 40 | FOR APPROVAL | | |
| 41 | FOR APPROVAL | | |
| 42 | FOR APPROVAL | | |
| 43 | FOR APPROVAL | | |
| 44 | FOR APPROVAL | | |
| 45 | FOR APPROVAL | | |
| 46 | FOR APPROVAL | | |
| 47 | FOR APPROVAL | | |
| 48 | FOR APPROVAL | | |
| 49 | FOR APPROVAL | | |
| 50 | FOR APPROVAL | | |

DESIGN BY: **Dr. P. S. Rao**
 DATE: 01.11.2023
 SCALE: 1/10
 DATE: 01.11.2023

PROJECT: **Public Health Engg. Drawing**
 TITLE: **Manhole Details**
 DRAWN BY: **Dr. P. S. Rao**
 CHECKED BY: **Dr. P. S. Rao**
 APPROVED BY: **Dr. P. S. Rao**
 DATE: 01.11.2023

SCALE: 1/10
 DATE: 01.11.2023