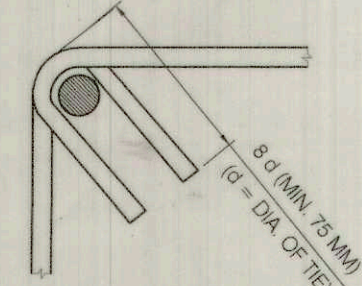


IMPORTANT NOTE:-

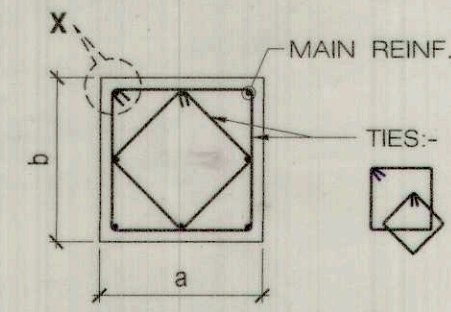
STREET LIGHT POLE SHALL NOT BE ERECTED ON RCC PEDESTAL UNTILL & UNLESS EARTH FILLING ABOVE RCC FOOTING IS COMPLETED

FOR LOCATION, SPACING & OTHER DETAILS OF STREET LIGHT POLE, REFER ARCH. / E & M DRGS.

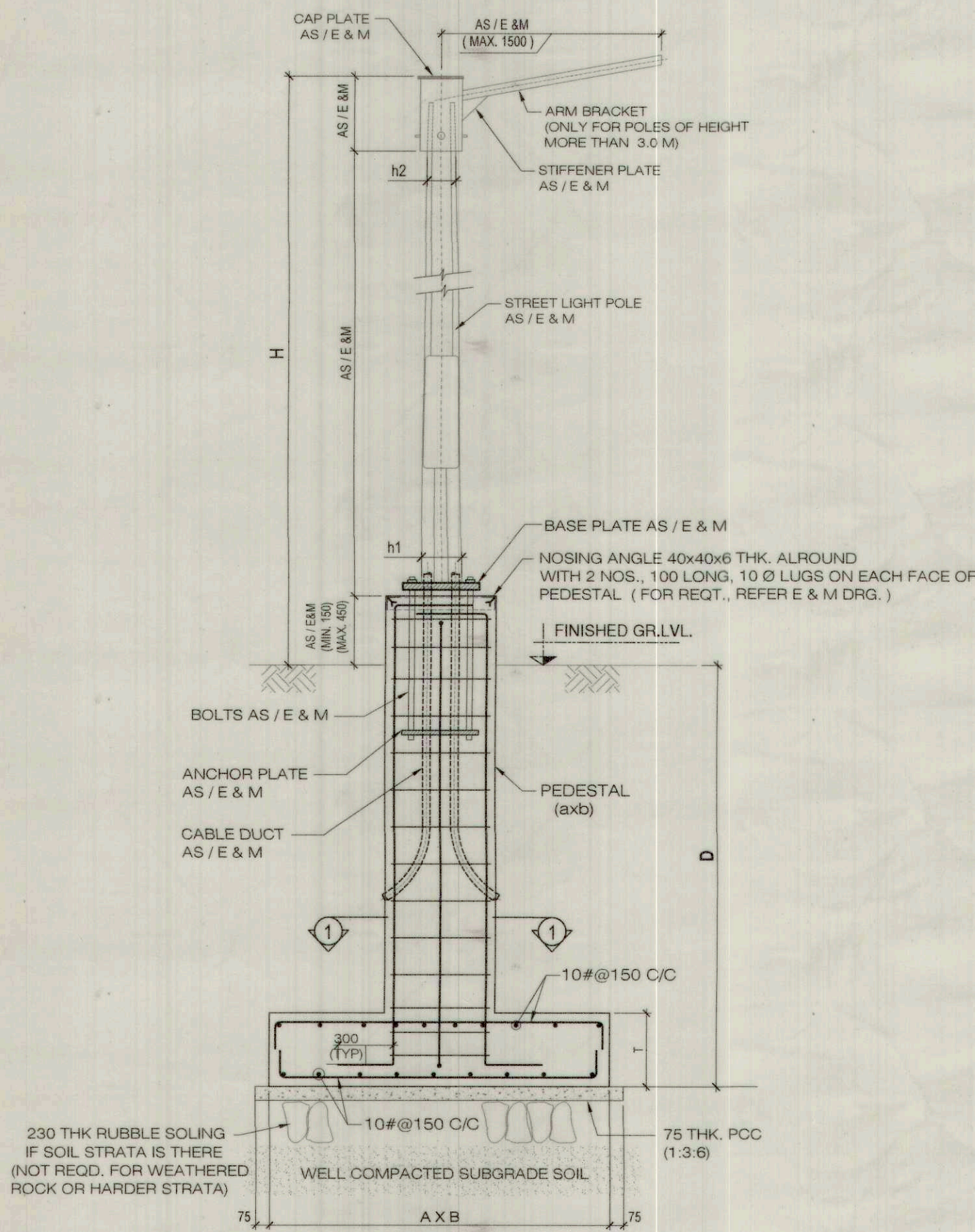
THIS DRG. SHALL BE READ IN CONJUNCTION WITH RELEVANT ARCH. / PH / E & M DRGS.



DETAIL - X



SECTION 1-1



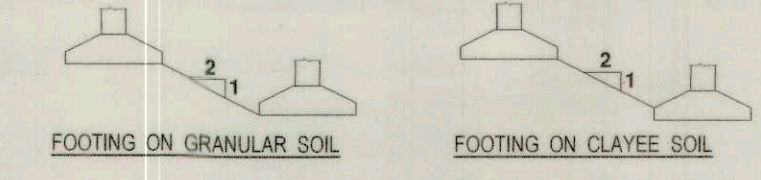
TYP. FOUNDATION DETAIL OF STREET LIGHT POLE

STRUCTURAL DETAILS OF STREET LIGHT POLE

MAX. HEIGHT OF POLE ABOVE FINISHED GR. LVL. (H)	AVERAGE PROJECTED DIM. OF POLE ($= \frac{h_1+h_2}{2}$)	BASIC WIND SPEED	33 m / sec (119 km / hr)					39 m / sec (140 km / hr)					44 m / sec (158 km / hr)					47 m / sec (169 km / hr)					50 m / sec (180 km / hr)					
			CITY	BENGALURU, CHITRADURGA, MYSORE					HINGOLI, INDORE, PUNE, MANGALORE, NANDED					HYDERABAD, MUMBAI, NAGPUR					BAHADURGARH, DELHI, JAIPUR, KOTA, VARANASI					BHUBANESHWAR, CHENNAI, GUWAHATI, KOLKATA, SHILLONG, VIZAG				
UPTO 2.0 M	≤ 90 mm	FOUNDATION DEPTH w.r.t. FINISHED GR. LVL. (D)	750					750					750					750					750					
		SBC OF SOIL (MIN.)	5 t/m ²					5 t/m ²					5 t/m ²					5 t/m ²					5 t/m ²					
		FOOTING	RCC SIZE (A x B)	550 x 550					600 x 600					650 x 650					700 x 700					750 x 750				
			THICKNESS (T)	300					300					300					300					300				
		PEDESTAL	SIZE (a x b)	300 x 300					300 x 300					300 x 300					300 x 300					300 x 300				
			MAIN REINF.	4 - 16 #					4 - 16 #					4 - 16 #					4 - 16 #					4 - 16 #				
TIES	8 # @ 150 c/c					8 # @ 150 c/c					8 # @ 150 c/c					8 # @ 150 c/c					8 # @ 150 c/c							
2.0 M TO 4.0 M	≤ 105 mm	FOUNDATION DEPTH w.r.t. FINISHED GR. LVL. (D)	1000					1000					1000					1000					1000					
		SBC OF SOIL (MIN.)	5 t/m ²					5 t/m ²					5 t/m ²					5 t/m ²					5 t/m ²					
		FOOTING	RCC SIZE (A x B)	800 x 800					900 x 900					950 x 950					1000 x 1000					1050 x 1050				
			THICKNESS (T)	350					350					350					350					350				
		PEDESTAL	SIZE (a x b)	350 x 350					350 x 350					350 x 350					350 x 350					350 x 350				
			MAIN REINF.	4 - 16 # + 4 - 12 #					4 - 16 # + 4 - 12 #					4 - 16 # + 4 - 12 #					4 - 16 # + 4 - 12 #					4 - 16 # + 4 - 12 #				
TIES	8 # @ 150 c/c					8 # @ 150 c/c					8 # @ 150 c/c					8 # @ 150 c/c					8 # @ 150 c/c							
4.0 M TO 6.0 M	≤ 135 mm	FOUNDATION DEPTH w.r.t. FINISHED GR. LVL. (D)	1250					1250					1250					1250					1250					
		SBC OF SOIL (MIN.)	6 t/m ²					6 t/m ²					6 t/m ²					6 t/m ²					6 t/m ²					
		FOOTING	RCC SIZE (A x B)	1000 x 1000					1150 x 1150					1250 x 1250					1300 x 1300					1350 x 1350				
			THICKNESS (T)	400					400					400					400					400				
		PEDESTAL	SIZE (a x b)	400 x 400					400 x 400					400 x 400					400 x 400					400 x 400				
			MAIN REINF.	4 - 16 # + 4 - 12 #					4 - 16 # + 4 - 12 #					4 - 16 # + 4 - 12 #					4 - 16 # + 4 - 12 #					4 - 16 # + 4 - 12 #				
TIES	8 # @ 150 c/c					8 # @ 150 c/c					8 # @ 150 c/c					8 # @ 150 c/c					8 # @ 150 c/c							
6.0 M TO 8.0 M	≤ 160 mm	FOUNDATION DEPTH w.r.t. FINISHED GR. LVL. (D)	1500					1500					1500					1500					1500					
		SBC OF SOIL (MIN.)	7.5 t/m ²					7.5 t/m ²					7.5 t/m ²					7.5 t/m ²					7.5 t/m ²					
		FOOTING	RCC SIZE (A x B)	1200 x 1200					1350 x 1350					1450 x 1450					1550 x 1550					1600 x 1600				
			THICKNESS (T)	400					400					400					400					400				
		PEDESTAL	SIZE (a x b)	400 x 400					400 x 400					400 x 400					400 x 400					400 x 400				
			MAIN REINF.	8 - 16 #					8 - 16 #					8 - 16 #					8 - 16 #					8 - 16 #				
TIES	10 # @ 150 c/c					10 # @ 150 c/c					10 # @ 150 c/c					10 # @ 150 c/c					10 # @ 150 c/c							
8.0 M TO 10.0 M	≤ 185 mm	FOUNDATION DEPTH w.r.t. FINISHED GR. LVL. (D)	1750					1750					1750					1750					1750					
		SBC OF SOIL (MIN.)	7.5 t/m ²					7.5 t/m ²					7.5 t/m ²					7.5 t/m ²					7.5 t/m ²					
		FOOTING	RCC SIZE (A x B)	1350 x 1350					1550 x 1550					1650 x 1650					1750 x 1750					1800 x 1800				
			THICKNESS (T)	450					450					450					450					450				
		PEDESTAL	SIZE (a x b)	450 x 450					450 x 450					450 x 450					450 x 450					450 x 450				
			MAIN REINF.	8 - 16 #					8 - 16 #					8 - 16 #					8 - 16 #					8 - 16 #				
TIES	10 # @ 150 c/c					10 # @ 150 c/c					10 # @ 150 c/c					10 # @ 150 c/c					10 # @ 150 c/c							

NOTES:-

- ALL DIMENSIONS & LEVELS ARE IN MILLIMETERS (MM) UNLESS NOTED OTHERWISE. NO DIMENSION SHALL BE SCALED OFF. ONLY WRITTEN DIMENSION TO BE FOLLOWED.
- ALL RCC WORK SHALL BE OF [M30] GRADE UNLESS NOTED OTHERWISE.
- THE WORK SHALL BE STRICTLY IN ACCORDANCE WITH IS - 456 - 2000 UNLESS NOTED OTHERWISE.
- REINFORCEMENT USED SHALL BE THERMO MECHANICALLY TREATED BARS (TMT) OF [Fe 550 / Fe 550D] GRADE CONFORMING TO IS - 1786 - 2008 INDICATED THUS - #
- ALL LEVELS AND DIMENSIONS INDICATED IN THIS DRG. ARE FROM THE CONCRETE SURFACE WITHOUT ANY FINISHES UNLESS NOTED OTHERWISE.
- THIS DRG. SHALL BE READ IN CONJUNCTION WITH RELEVANT ARCHITECTURAL, PH, E&M AND STRUCTURAL DRAWINGS.
- IN THE EVENT OF ANY DISCREPANCY BETWEEN STRUCTURAL DRGS. AND BASIC ARCH. / PH / E&M DRGS. OR BETWEEN DIFFERENT STRUCTURAL DRGS., UNDERSIGNED SHALL BE IMMEDIATELY INFORMED PRIOR TO TAKING FURTHER ACTION.
- FOR LOCATION OF CONCEALED CONDUITS, PIPES AND OTHER CIVIL, PH, ELECTRICAL AND AIR CONDITIONING WORKS, INSERTS, CUTOUTS, HOLES, OPENING, ETC., REFER SEPARATE DRGS. BUT THESE SHALL BE LOCATED / FIXED PRIOR TO CONCRETING.
- ADJACENT FOOTINGS AT DIFFERENT LEVELS SHALL BE PROVIDED SUCH THAT THE SLOPE OF LINE AS SHOWN IN THE SKETCHES BELOW, IS NOT STEEPER THAN 1 VERTICAL TO 2 HORIZONTAL.



NOMINAL COVER SCHEDULE

MEMBER	NOMINAL COVER
FOOTING	50 mm
PEDESTAL	45 mm

CLEARANCE MUST BE OBTAINED FROM ALL CONCERNED SECTIONS PRIOR TO EXECUTION

SITE USE DRAWING

R1	GRADE OF STEEL CHANGED FROM Fe 500 TO Fe 550 / Fe 550D AND CORRESPONDING DETAILS CHANGED.	A. SINGH R.P. BAVASAR R. NAVAN	09.01.2024
----	---	--------------------------------------	------------

REV. NO.	DESCRIPTION	INITIAL	DATE
R E V I S I O N S			

GOVT. OF INDIA
DIRECTORATE OF CONSTRUCTION SERVICES AND ESTATE MANAGEMENT
STRUCTURAL DESIGN SECTION
VIKRAM SARABHAI BHAVAN, ANUSHAKTINAGAR, MUMBAI - 400094

DRN. BY	R.S. NEGI	TITLE -	
DRG. CHD.	A. SINGH	STANDARD DRG. OF	
DESIGN BY	A. SINGH	FOUNDATION DETAIL FOR STREET LIGHT POLE	
DESIGN CHD.	S.K. SANI		
APPROVED			
SCALE	1:75-50:25	DRG. NO. -	
DATE	10.02.2020	DCSEM/SDS/STD. DRG./STREET LIGHT POLE - 01 / 8719	REV. R1