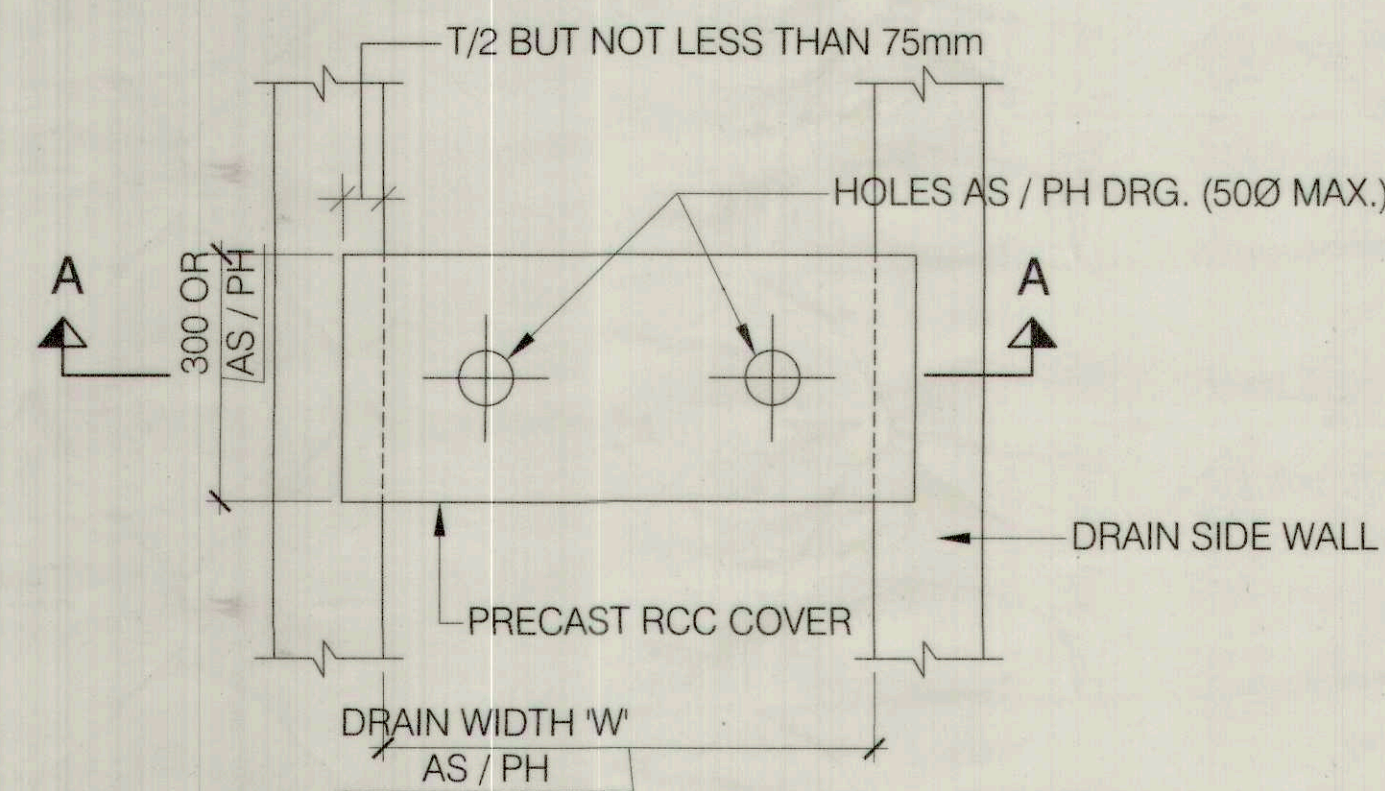


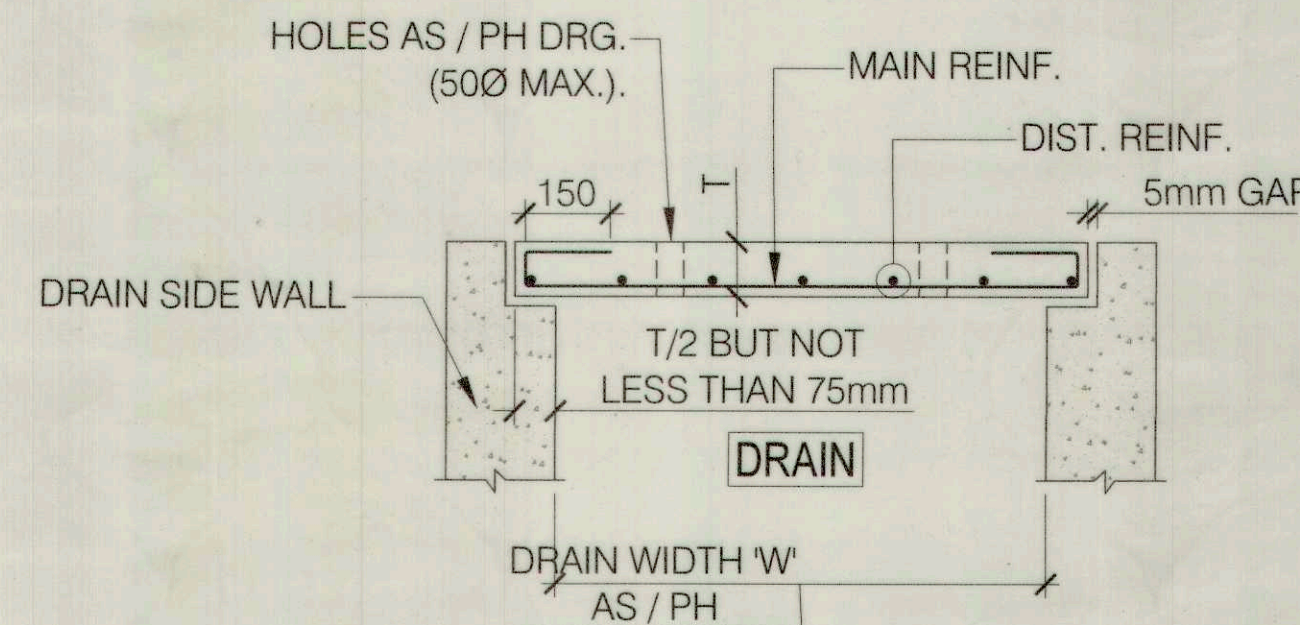
SCHEDULE OF DRAIN COVERS

| LOADING | DRAIN WIDTH 'W' | SLAB THICKNESS 'T' | REINFORCEMENT | |
|---------------------|-----------------|--------------------|------------------|------------------|
| | | | MAIN REINF. | DIST. REINF. |
| PEDESTRIAN MOVEMENT | UPTO 900 MM. | 80 MM. | 10 # @ 150 C / C | 8 # @ 150 C / C |
| VEHICLE MOVEMENT | UPTO 600 MM. | 175 MM. | 12 # @ 100 C / C | 10 # @ 150 C / C |
| | 600 to 900 MM. | 200 MM. | 12 # @ 100 C / C | 10 # @ 150 C / C |

CLEARANCE MUST BE OBTAINED FROM ALL CONCERNED SECTIONS PRIOR TO EXECUTION

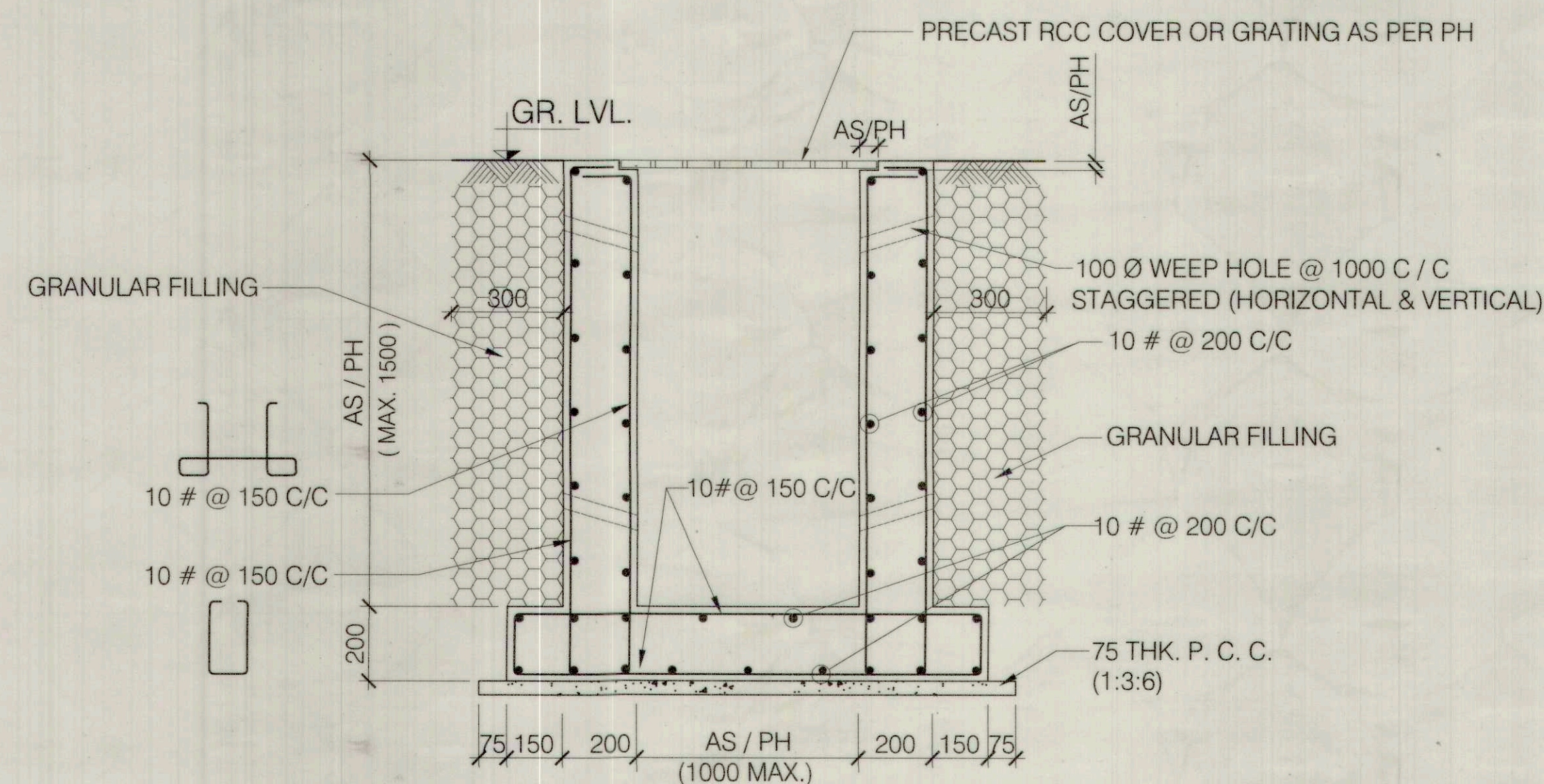


TYP. PLAN OF DRAIN COVER



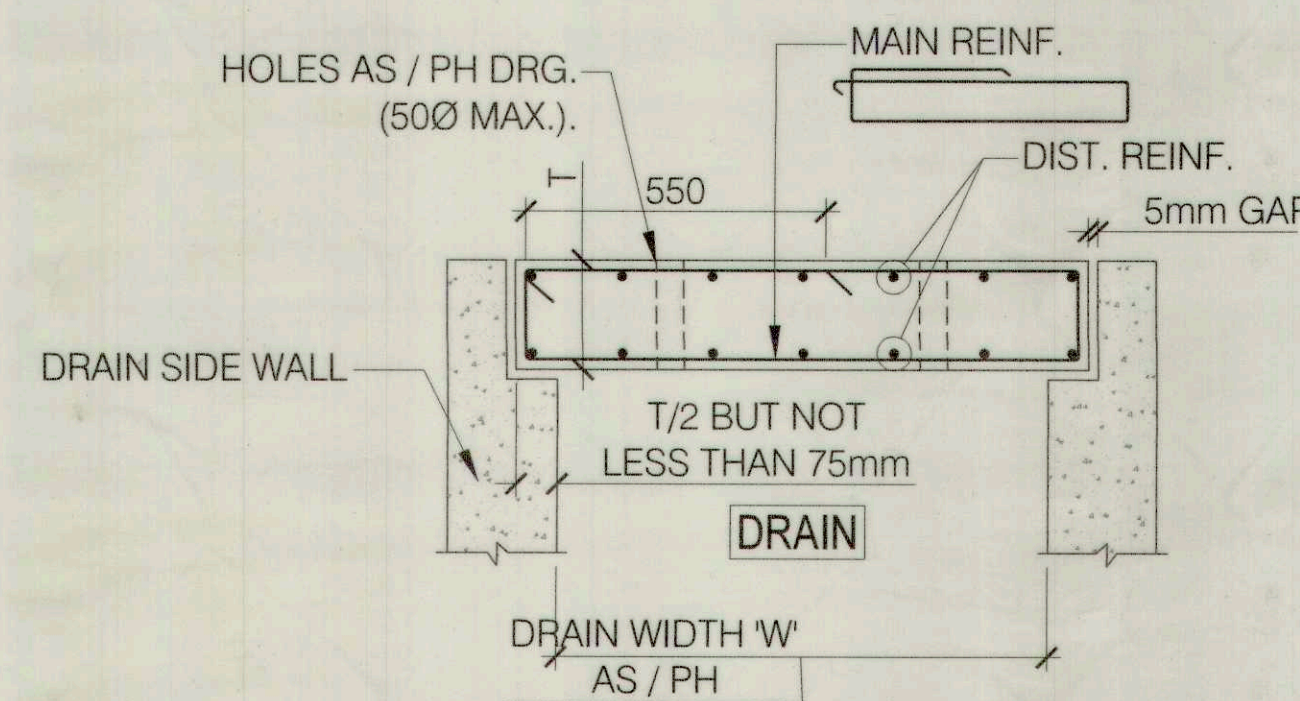
SECTION 'A-A'

TYPE - 1 (COVER FOR PEDESTRIAN MOVEMENT)



TYP. SECTION OF R. C. C. DRAIN

(FOR LOCATION & SIZE OF DRAIN, REFER ARCH. / PH DRG.)



SECTION 'A-A'

TYPE - 2 (COVER FOR VEHICLE MOVEMENT)

NOTE -
TOP OF DRAIN COVER SHALL BE SUITABLY MARKED WHILE CASTING CONCRETE AT SITE

NOTES -

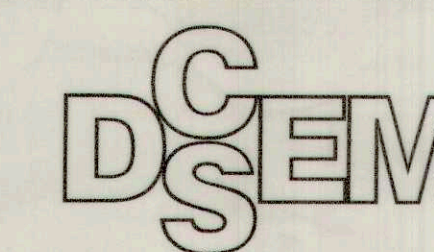
1. ALL DIMENSIONS ARE IN MILLIMETRES (MM.) . UNLESS NOTED OTHERWISE. NO DIMENSION SHALL BE SCALED OFF. ONLY WRITTEN DIMENSIONS TO BE FOLLOWED.
2. THE WORK SHALL BE STRICTLY IN ACCORDANCE WITH IS : 456 - 2000 UNLESS NOTED OTHERWISE .
3. ALL RCC WORK SHALL BE OF MINIMUM M 30 GRADE UNLESS NOTED OTHERWISE.
4. REINFORCEMENT USED SHALL BE TMT BARS OF GRADE Fe 550 / Fe 550D CONFORMING TO IS : 1786-2008 INDICATED THUS - #
5. ALL LEVELS AND DIMENSIONS INDICATED IN THIS DRG. ARE FROM THE CONCRETE SURFACE WITHOUT ANY FINISHES UNLESS NOTED OTHERWISE .
6. THIS DRG. SHALL BE READ IN CONJUNCTION WITH RELEVANT ARCHITECTURAL , PH AND STRUCTURAL DRAWINGS .
7. IN THE EVENT OF ANY DISCREPANCY BETWEEN STRUCTURAL DRGS. AND BASIC ARCHITECTURAL , PH DRGS. OR BETWEEN DIFFERENT STRUCTURAL DRGS. , UNDERSIGNED SHALL BE IMMEDIATELY INFORMED PRIOR TO TAKING FURTHER ACTION.
8. LAP LENGTH 'Ld' WITHOUT HOOKS SHALL BE AS GIVEN BELOW WHERE 'D' IS DIAMETER OF THE SMALLER LAPPING BAR .

| CONCRETE GRADE | M30 | M25 | M20 |
|-----------------|------|------|------|
| LAP LENGTH 'Ld' | 50 D | 54 D | 63 D |

9. NOMINAL COVER OF CONCRETE TO REINF. = 50 MM. (BASE SLAB)
= 45 MM. (WALLS)
= 30 MM. (DRAIN COVER)

SITE USE DRG.

| REV. NO. | TITLE | SIGN | DATE |
|----------|-------------------------------------------------------------------------------------------|-----------------------------------------------------|------------|
| R5 | GRADE OF STEEL CHANGED FROM Fe 500 TO Fe 550 / Fe 550D AND CORRESPONDING DETAILS CHANGED. | M. AGRAWAL A.P. BAVASKAR R. NAYAN | 05/01/2024 |
| R4 | DRG. REVISED IN GENERAL. | | 21/08/20 |
| R3 | DRG. REVISED IN GENERAL. | | 03/10/13 |
| R2 | GRADE OF CONCRETE CHANGED | | 12/05/11 |
| R1 | REVISION AS PER PH REQUIREMENT | | 01/02/08 |



GOVT. OF INDIA
DIRECTORATE OF CONSTRUCTION SERVICES AND ESTATE MANAGEMENT
STRUCTURAL DESIGN SECTION
VIKRAM SARABHAI BHAVAN , ANUSHAKTINAGAR , MUMBAI - 400094

| | | |
|--------------|-------------|----------------------------------------------------------------|
| DRN. BY | PATNE S. B. | PROJECT - STANDARD DRAWING |
| DRG. CHKD. | S. K. SAINI | |
| DESIGN BY | S. K. SAINI | TITLE - STRUCTURAL DETAILS OF EXTERNAL STORM WATER DRAIN |
| DESIGN CHKD. | R. SHARMA | |
| APPROVED | R. SHARMA | |
| SCALE | 1 : 100 | |
| DATE | 25/08/2006 | DRG. NO.- CED / 01 / 5829 |
| | | REV. R5 |